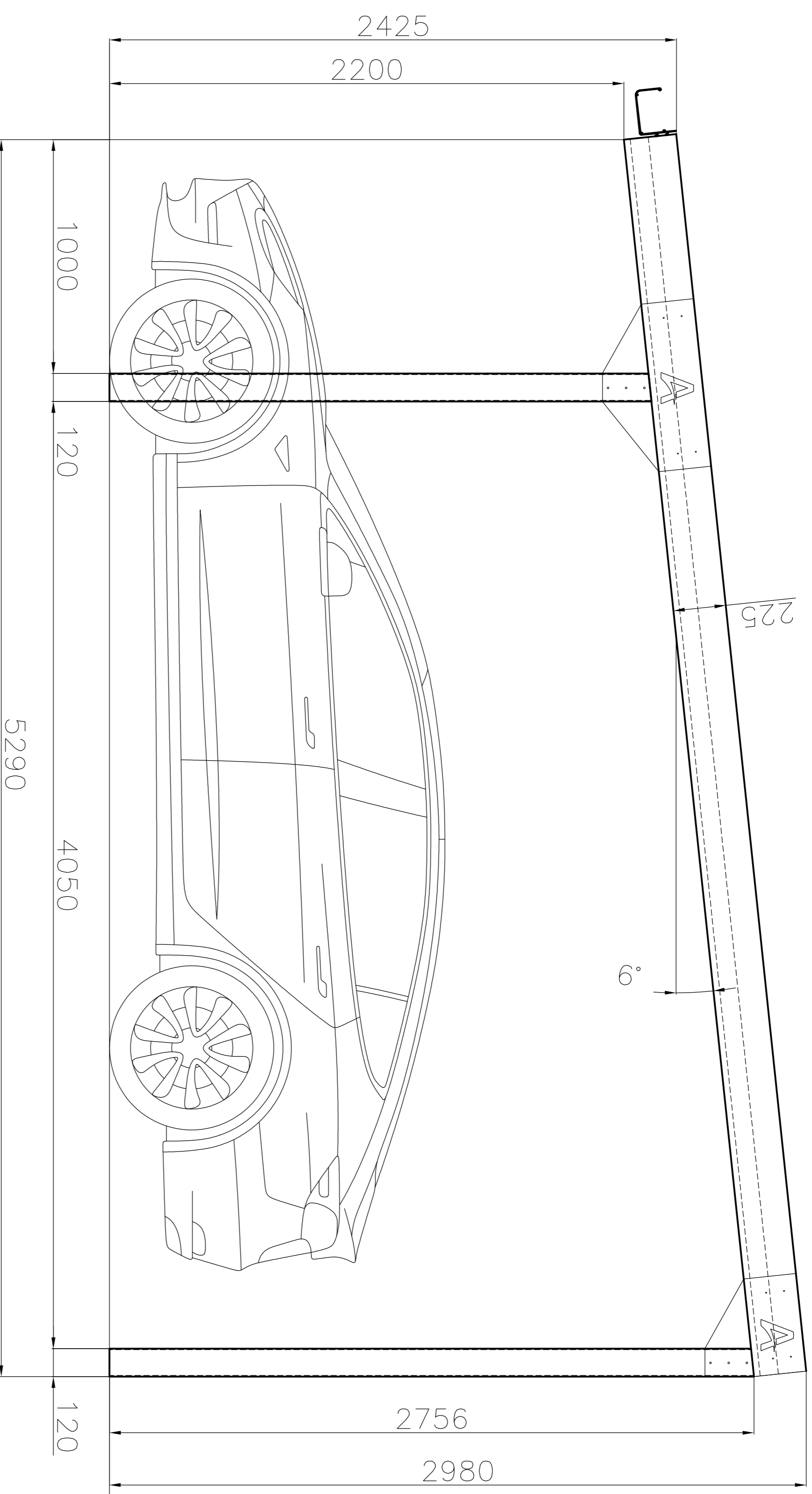
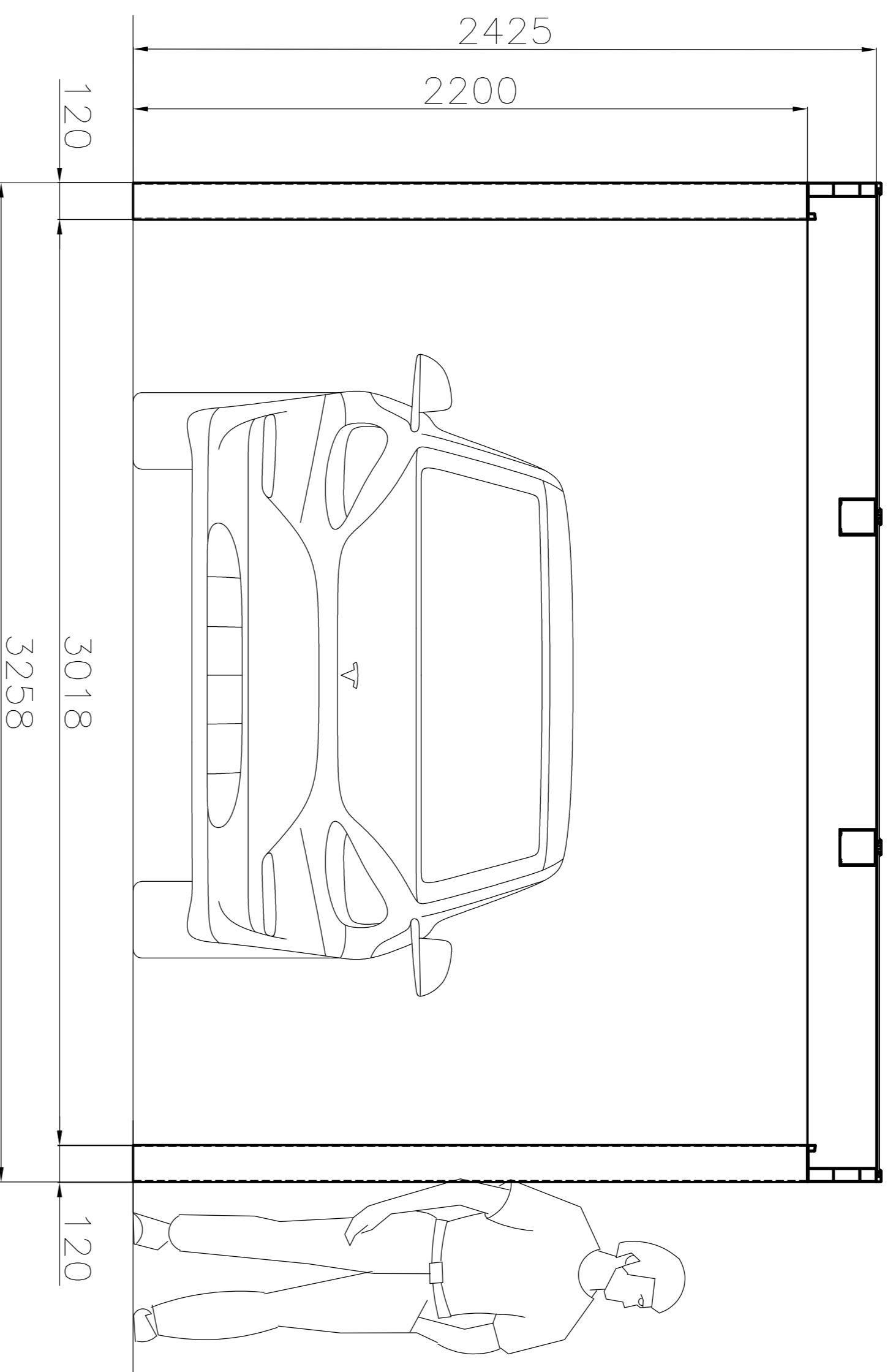


SOLAR CARPORT - SINGLE



Specifications:

Aluminium structure with application of solar panels

Aluminium profiles: Top roof part - 225 x 120mm

Posts: - 120 x 200 mm

Color: Komaxit powder - Anthracite DB 703

External dimensions: 3258x5290x2980

Internal dimensions: 3018x5290x2200

Solar panels: 1049x1770x7, 370Wp, double-sided tempered glass, light transmission 12%

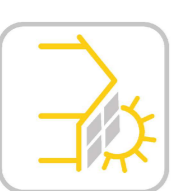
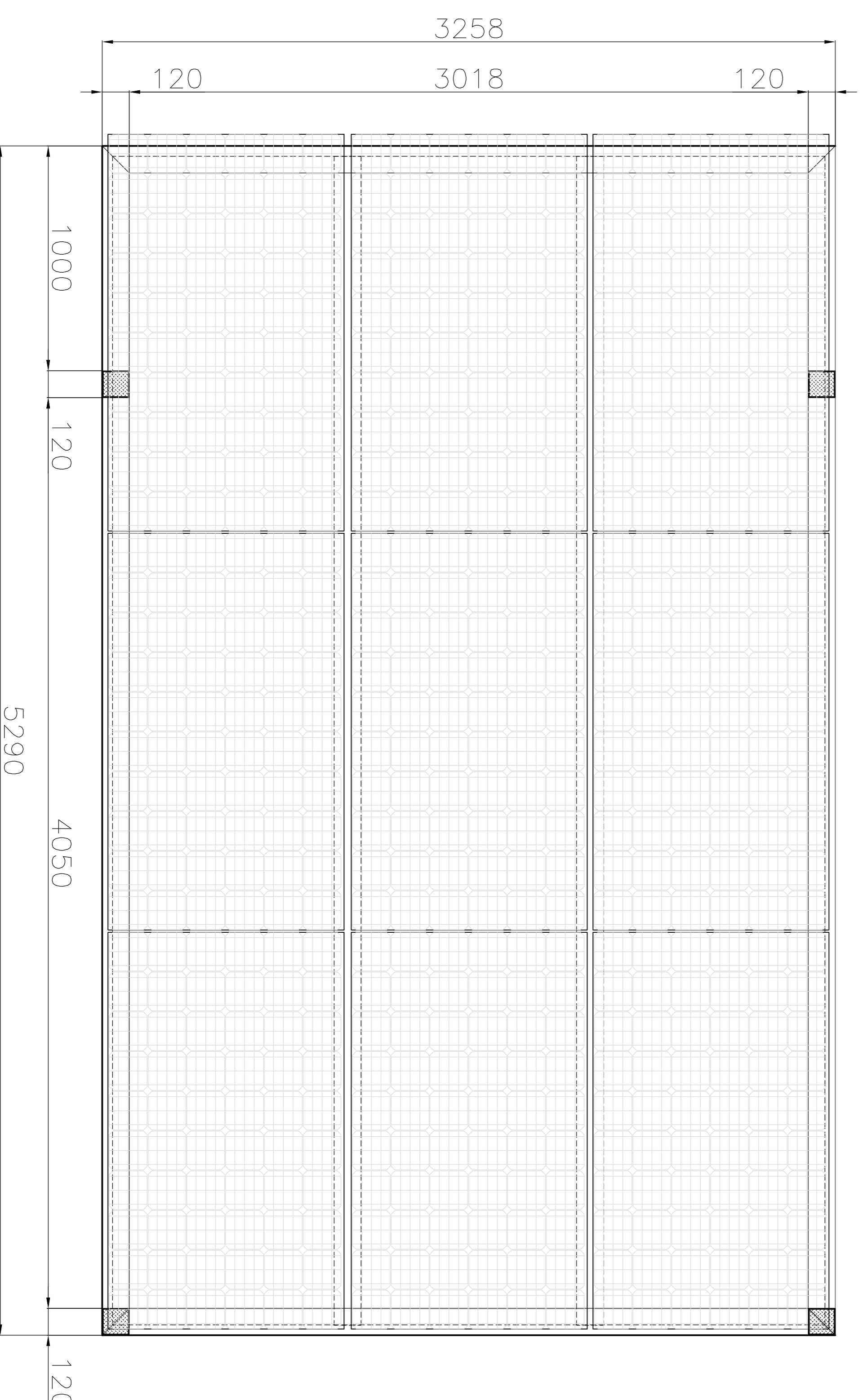
Number of panels: 9

Total output: 3330Wp

Emissions saving CO₂ ~ 1650 kg/year

Total Weight	~ kg	EN
Maximum snow load	~ 210 kg/m ²	x
Maximum wind load	~ 100 km/h	x

LOAD LIMITS ACCORDING TO EUROCODE (EC1, EC9) STANDARD



Alukov Solar