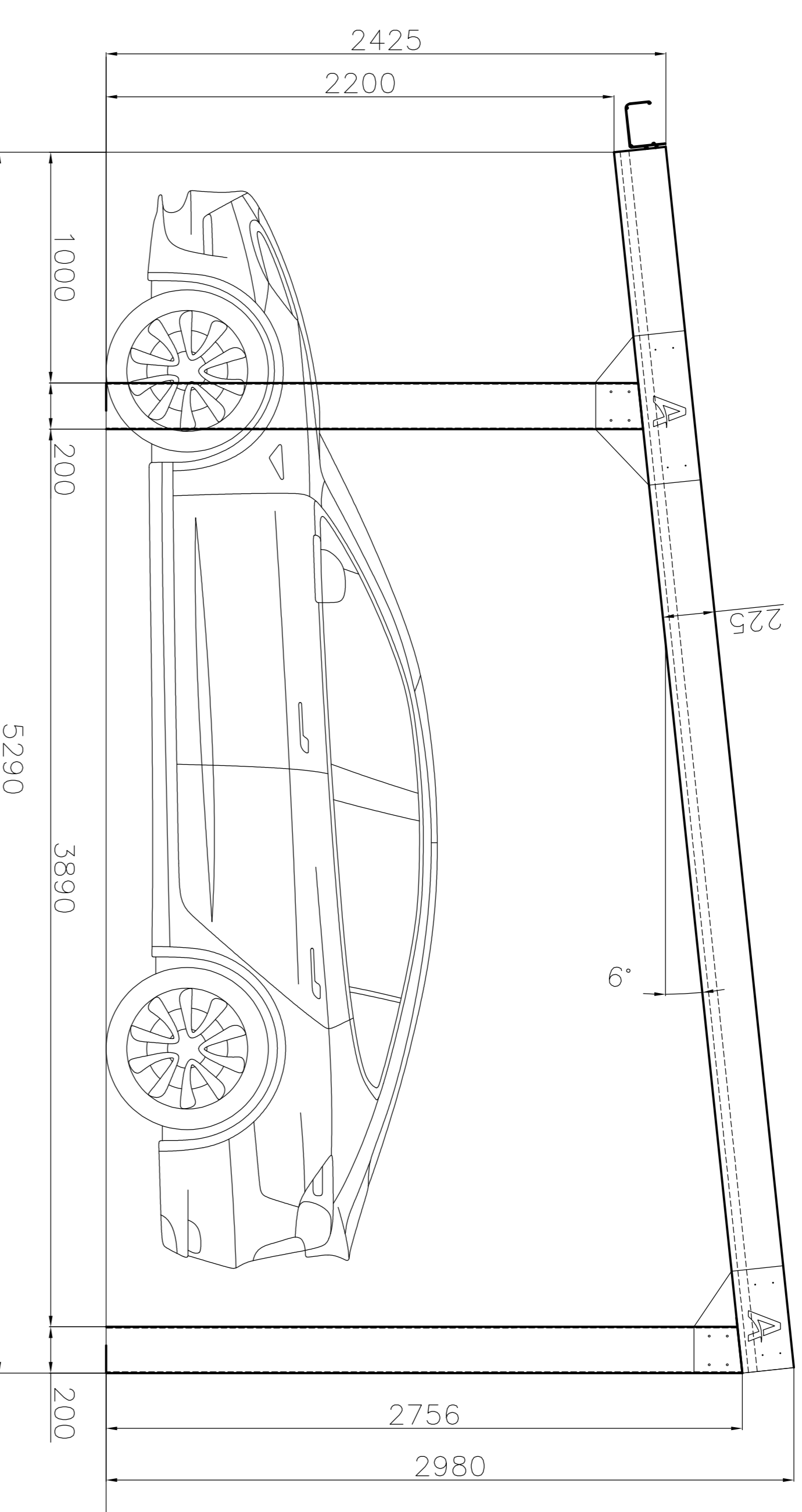
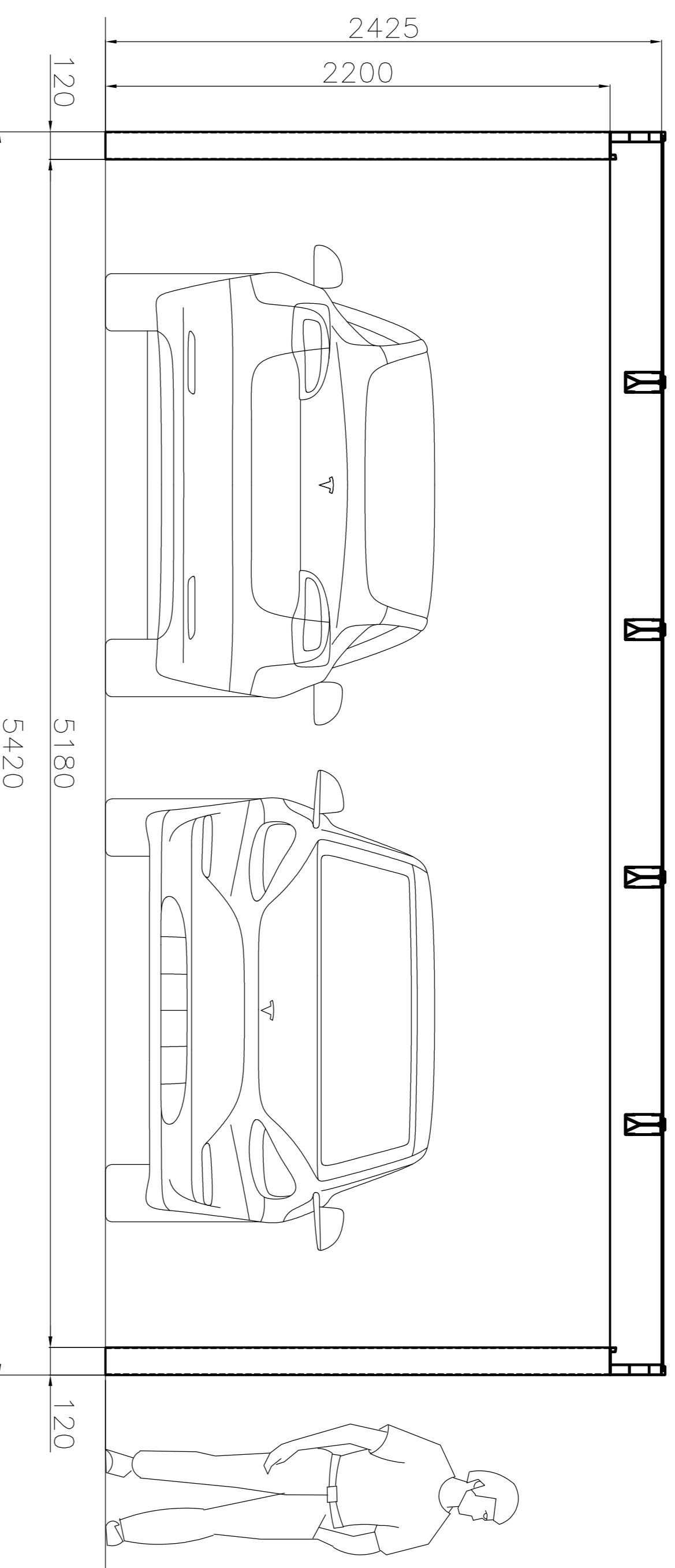


SOLAR CARPORT - DOUBLE



Specifications:

Aluminium structure with application of solar panels

Aluminium profiles: Top roof part - 225 x 120mm

Posts: - 120 x 200 mm

Color: Komaxit powder - Anthracite DB 703

External dimensions: 5420x5290x2980

Internal dimensions: 5180x5050x2200

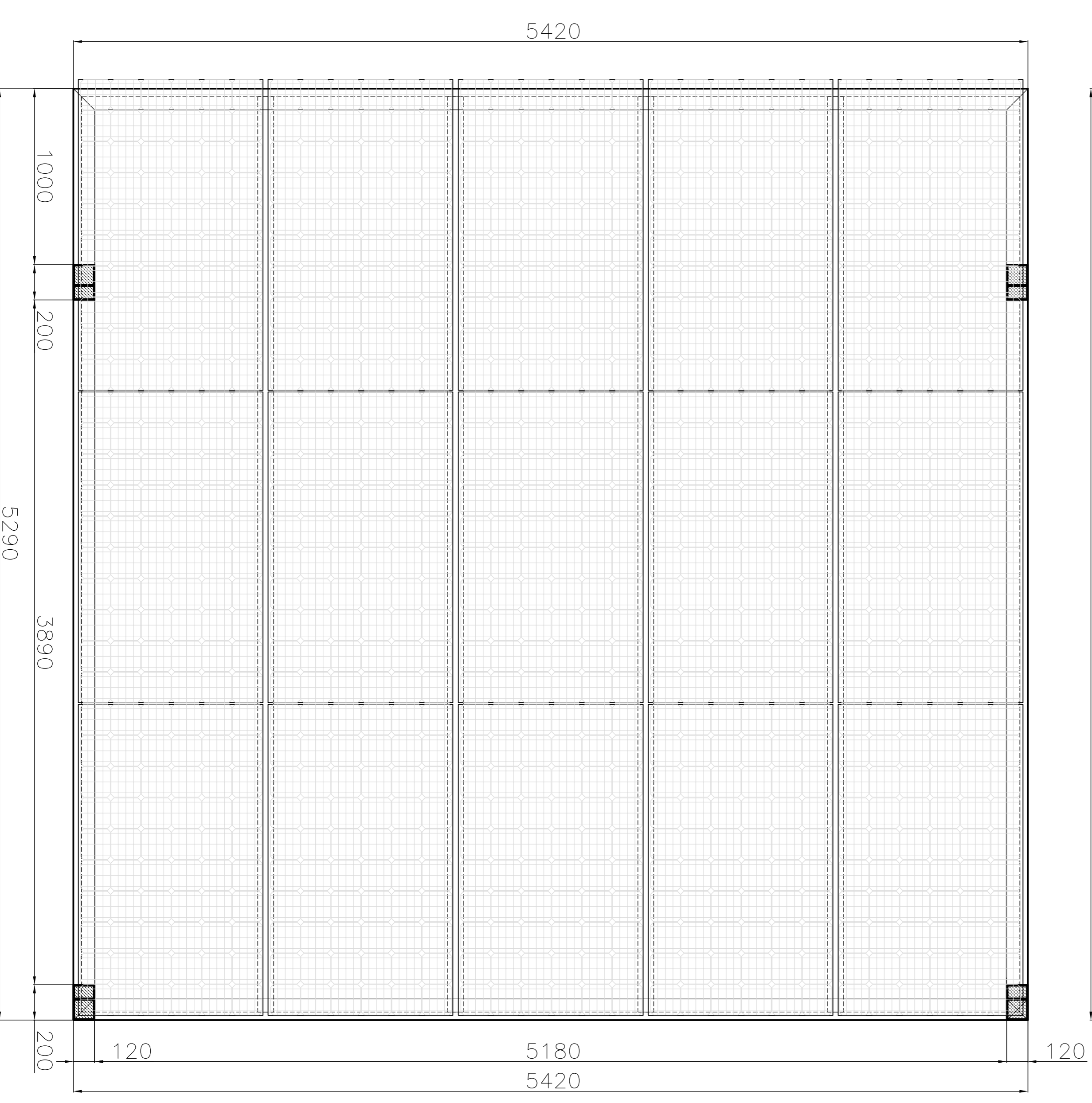
Solar panels: 1049x1770x7, 370W, double-sided tempered glass, light transmission 12%

Number of panels: 15

Total output: 5550Wp

Emissions saving CO₂ ~ 2775 kg/year

| Celková hmotnosť | ~ kg | CZ |
|--|-------------------------|-----------|
| Maximální zatížení - snh | ~ 190 kg/m ² | x |
| Maximální zatížení - vítr | ~ 100 km/h | x |
| <small>LIMITY ZATÍŽENÍ DLE NORMY EUROCODE (EC1, EC9)</small> | | |



Alukov Solar